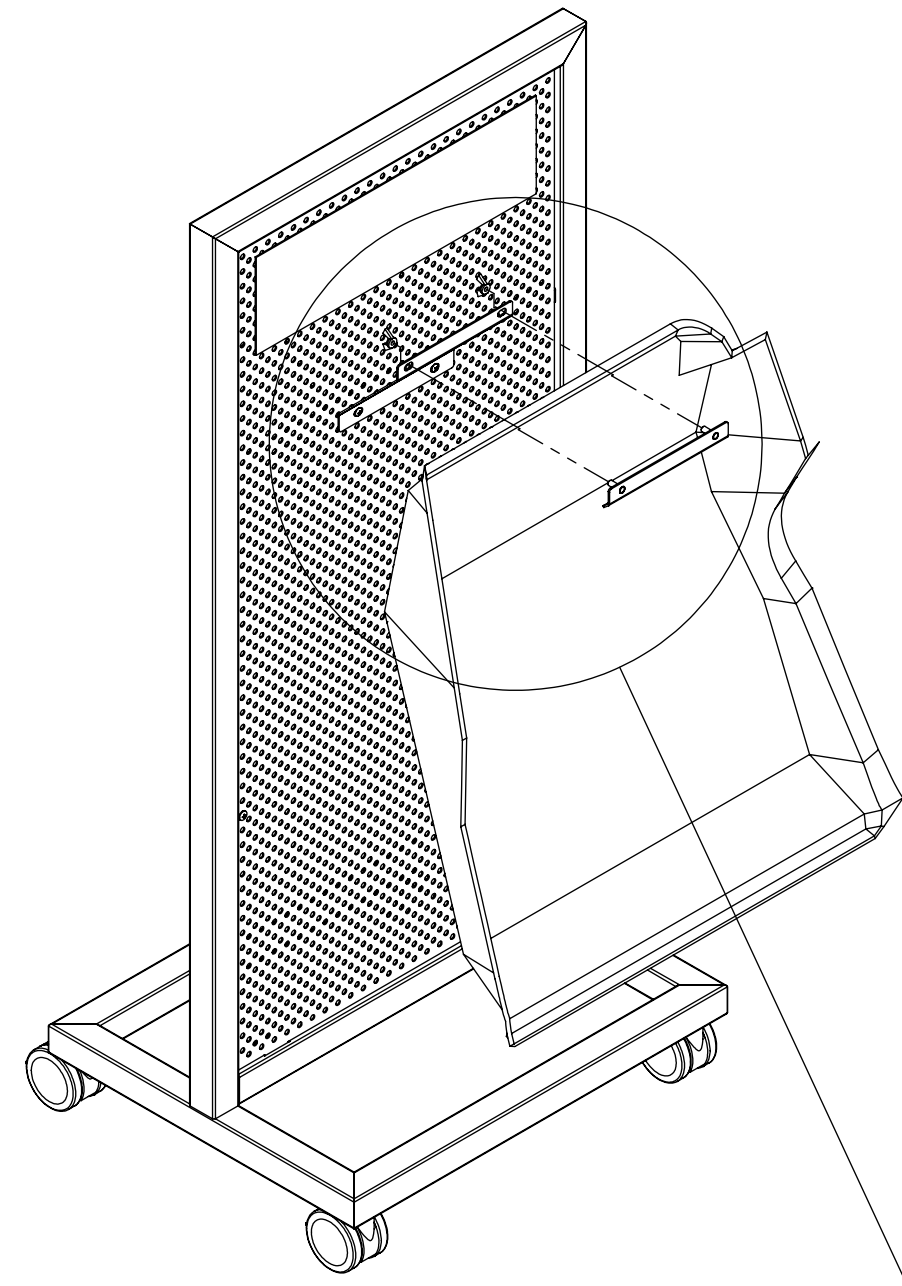
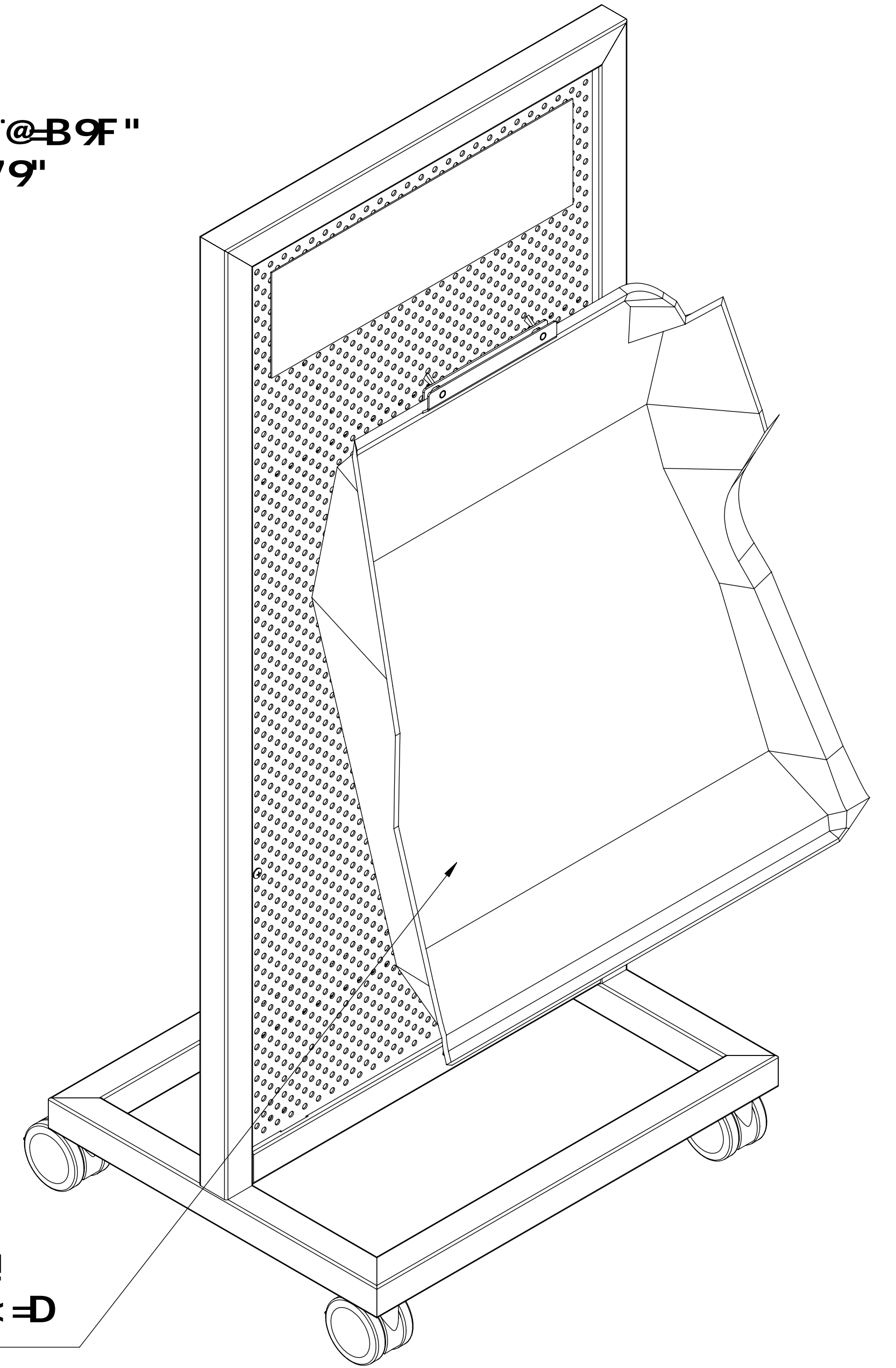
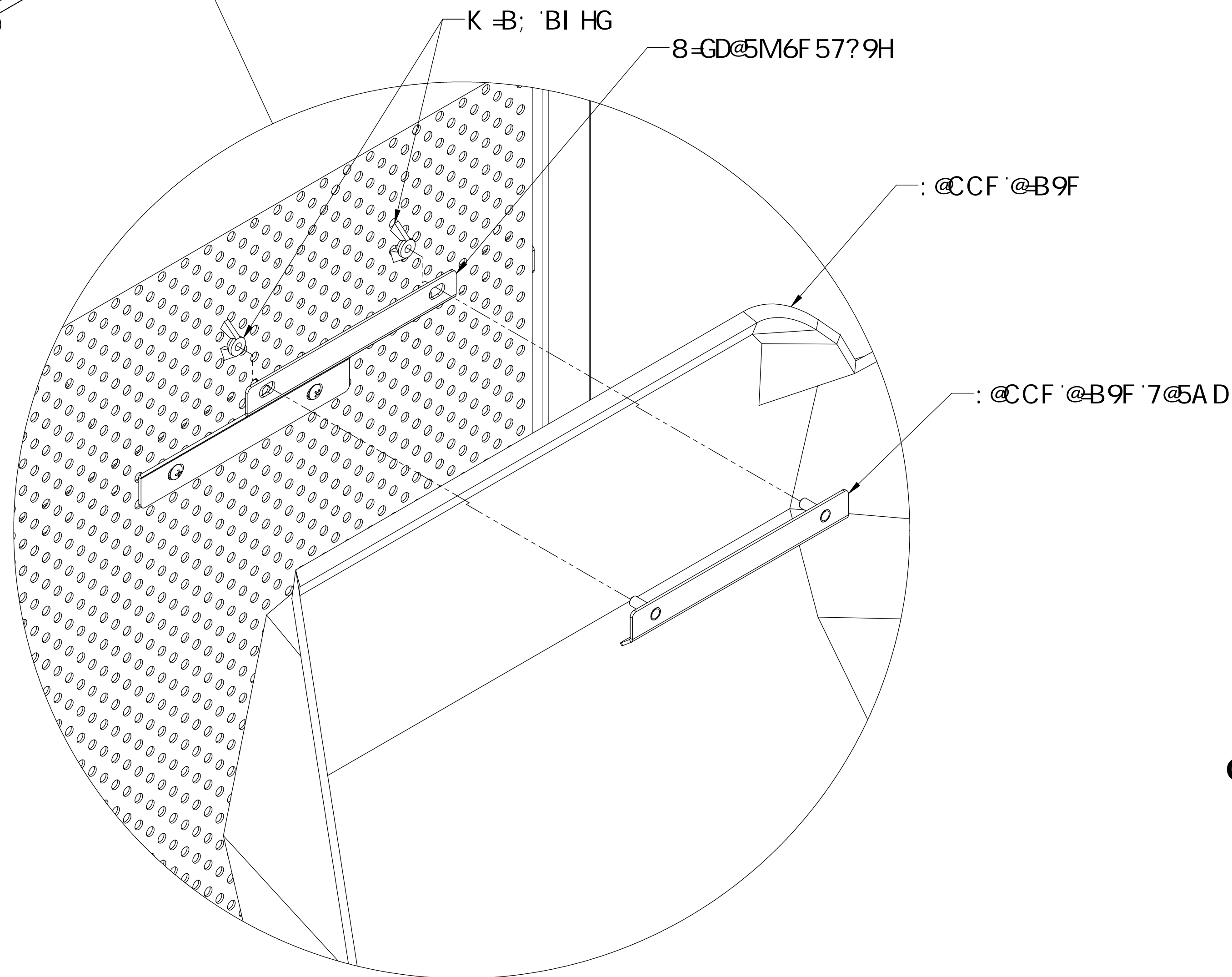


Technical Drawing: Shopping Cart Assembly



=BGH5@@=B; : @CCF '@=B9F
 %'@CCG9B 'K =B; 'BI HG'5B8 'F 9A CJ 9'H< 9: @CCF '@=B9F '7@5AD'
 &"< C@8 : @CCF '@=B9F '=B '89G=F 98 'ACI BH=B; 'DCG=H=CB"
 ' "'=BG9F H'H< 9: @CCF '@=B9F '7@5AD '=BHC '8=GD@5M6F 57? 9H'5B8 'D=B7< 'H< 9: @CCF '@=B9F "
 ("H<F 958 'CB 'K =B; 'BI HG'5B8 'H; <H9B 'HC 'D=B7< : @CCF '@=B9F 'G97I F 9@M=B 'D@579"
)"F 9D95H'CB 'CDDCG=H9'G=89"

: @CCF '@=B9F '=BGH5@@98



BCH9: : @CCF '@=B9F '=G'
 BCH=B7@ 898 'K =H< '8=GD@5M!
 C6H5=B 'CB9: FCA 'H< 9'895@9F G< =D
 D5F HG'89D5F HA 9BH'

89H5=@5
G75@9 % . &



DF CDF =9=5F M5B8 '7CB: =89BH5@
 H< 9=B: CFA 5H=CB '7CBH5=B98 '=B 'H<=G 8F5K =B; '=G'H< 9'GC@9 'DFCD9FHM
 C: '87=5FH CFA''5BMF9DFC8I 7H=CB '=B 'D5FHCF '5G'5'K <C@
 K =H<CI H'H< 9'K F=H9B 'D9FA =CG=CB 'C: '87=5FH CFA '=G'DFC< =6+98"